



TECHNICAL DATA SHEET

CC-5000

ASBESTOS FREE A/C CANVAS COATING

DESCRIPTION

Fitco CC-5000 is a flexible, elastomeric, high-build, protective coating. It gives excellent adhesion to canvas cloth and other lagging fabrics used in the air-conditioning industry for thermal insulation.

ADVANTAGES

- One component
- Non-flammable
- Non-toxic
- Mildew resistant
- UV resistance
- Abrasion and crack resistance
- Good bond strength
- Tough, elastic and durable
- Specially formulated for severe climatic conditions
- Economical

USES

CC-5000 is recommended for impregnating, coating and bonding canvas cloth and lagging fabrics over insulation on air conditioning ducts. It provides a protective barrier against water vapour penetration into air conditioning ducts.

It is also used for adhering laps of fiber and woven glass cloth on cold water pipe insulation. **CC-5000** can also be used for coating polystyrene, polyethylene and other plastic foam insulation as a protective barrier against dusting and attacks by solvents.

DIRECTIONS FOR USE

All surfaces to be coated must be clean, dry and free from dust, grease and any loose materials.

APPLICATION

CC-5000 can be applied by brush, roller or spray. Canvas can be dipped directly where saturation and shrinkage are required.

Wrap the canvas around the insulated air conditioning duct as a protective jacket. Ensure the ends are lapped to form a tight seal. Apply **CC-5000** over jacket and smooth over the surface.

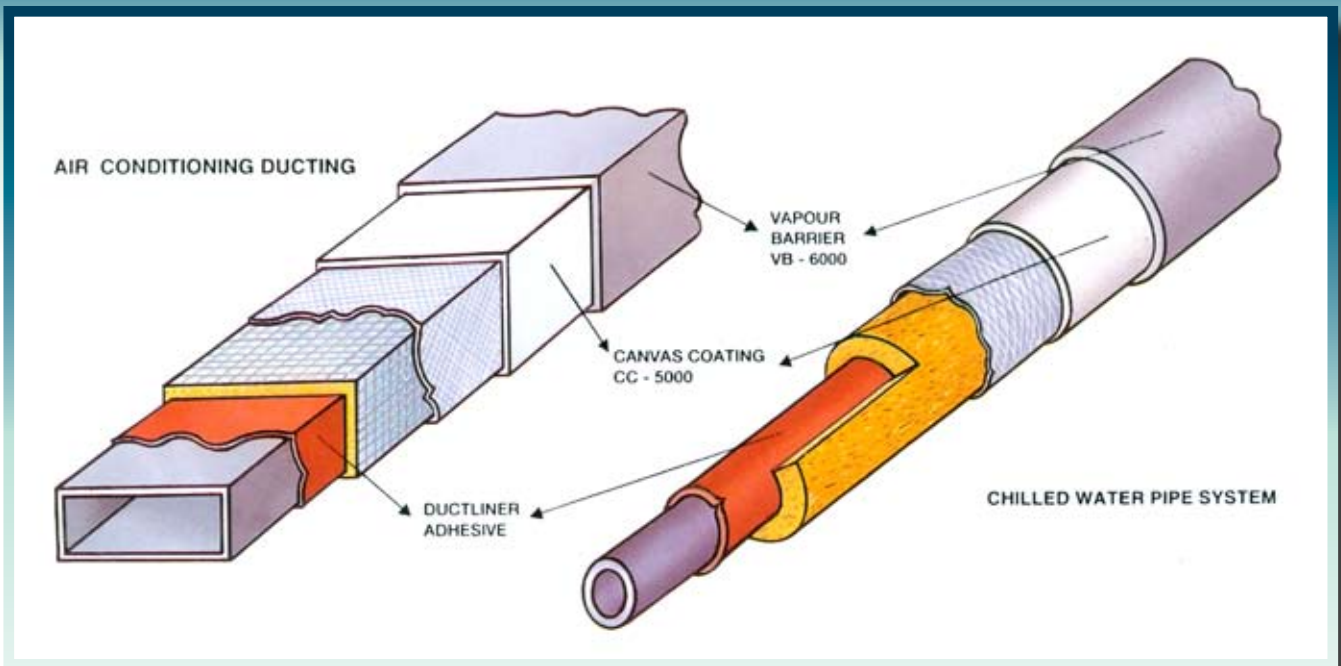
Adequate insulation must be used for successful performance of this coating system for high performance under service condition.

CLEANING TOOLS

Clean immediately after use with water.

PACKING

5 US Gallon pails



SPECIFICATION : CC-5000

Base	: Acrylic Copolymer
Colour	: White
Consistency	: Viscous / Creamy
Specific Gravity	: 1.40 (approximate)
Service Temperature	: -30°C to 80°C
Safety	: Non-flammable
Bonding Time	: 30 Minutes
Drying Time	: 2-4 hours depending on film thickness and temperature
Surface Flame Spread	: Conforms to BS 476 Part 7 : 1987
Water Vapour Transmission	: Conforms to BS 2782 Part 8 : 1992
Coverage	: 3 to 4 m ² /Ltr depending on the film thickness required, the method of application and the substrate
Cleaner	: Use water to clean the tools

STORAGE & SHELF LIFE

Store at room temperature in well ventilated area. When stored in original unopened container has a shelf life of one year.

N.B. : Please refer to separate Technical Data Sheets on VB-6000 - Vapour Barrier and Ductliner.

National Plastic warrants that this product is free from defects in raw materials and workmanship for a period of one year from date of delivery. Seller disclaims any consequential loss for improper application by user. This warranty is limited to replacement of goods proved to be defective in raw materials and workmanship during the warranty period.

Information printed in this literature is given in good faith and is, to the best of our knowledge and experience, true and correct.

fito
adhesives

National Plastic & Building Material Industries L.L.C. (Adhesives Division)

Telephone: +971 (6) 5331830 • Fax: +971 (6) 5335629 • Email: npbmi@emirates.net.ae

Website: www.national-plastic.com • P.O. Box 1943, Sharjah U.A.E.