



TECHNICAL DATA SHEET

DUCT-LINER

718-0200-DDR

DESCRIPTION

Fitco Duct-Liner is a high quality, quick tack adhesive specially formulated for brush application. It provides excellent adhesion and good coverage.

ADVANTAGES

- One component
- High bond strength in short time
- Excellent resistance to water and water vapours
- Easy application
- Mildew resistance
- Excellent Coverage
- Quick tack
- Requires no auxiliary clamp devices
- Excellent aging properties

USES

Fitco Duct-Liner is used for bonding fibrous insulation to concrete, wood, gypsum board and rigid construction materials, and for laminating layers of fibrous glass, adhering and sealing laps of pipe, bonding urethane foam to sheet metal and gypsum board, bonding low and high density fibre glass insulation, interior/exterior sheet metal, galvanized metal, stainless steel and aluminium airconditioning and heating ducts, adhering kraft-back foil and foil jacketing to urethane foam.

DIRECTIONS FOR USE

Surface Preparation

All surfaces must be clean, dry and free from oil, grease and loose materials.

APPLICATION

Using brush or roller, apply adhesive to the metal foil or rigid substrate leaving no bare spot. Apply insulation 0-20 minutes later. Open time depends upon atmospheric conditions. To ensure good bond, adhesive should be sufficiently wet.

CAUTION

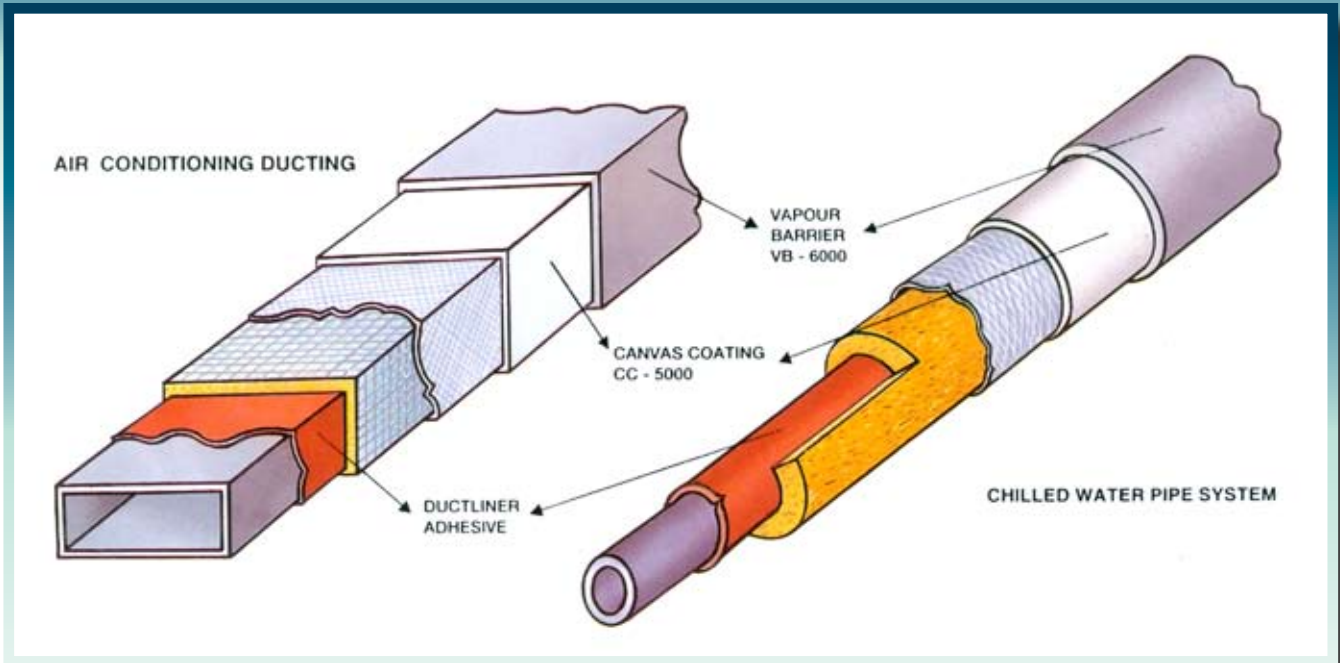
Highly flammable material, care must be taken that there are no flames, pilot lights or other sources of ignition. Application must be carried out in a well ventilated area. Avoid prolonged breathing of vapour.

CLEANING

Use **Fitco Duct-Liner** cleaners for cleaning tools.

PACKING

5 US Gallon pails



SPECIFICATION : DUCT LINER

Appearance	: Off White/Amber/Red
Base	: Synthetic Rubber
Solvent	: Aliphatic solvent systems
Consistency	: 500 ± 200 cps (ASTM 1084)
Solid Content	: 23 ± 3% by weight
Application Temperature	: -20 to 55°C
Service Temperature	: -20 to 80°C
Temperature	: Room temperature with cross ventilation
Open Time	: 0-30 minutes
Cure Time	: 24 hours
Flash Point	: Petroleum mixture highly flammable
Coverage	: Approximately 6m ² /litre

STORAGE & SHELF LIFE

When stored in original unopened container has a shelf life of one year.

National Plastic warrants that this adhesive is free from defects in raw materials and workmanship for a period of one year from date of delivery. Seller disclaims any consequential loss for improper application by user. This warranty is limited to replacement of goods proved to be defective in raw materials and workmanship during the warranty period.

Information printed in this literature is given in good faith and is, to the best of our knowledge and experience, true and correct.

fito
adhesives[®]

National Plastic & Building Material Industries L.L.C. (Adhesives Division)

Telephone: +971 (6) 5331830 • Fax: +971 (6) 5335629 • Email: npbmi@emirates.net.ae

Website: www.national-plastic.com • P.O. Box 1943, Sharjah U.A.E.