



TECHNICAL DATA SHEET

VB - 6000

ASBESTOS FREE VAPOUR BARRIER COATING

DESCRIPTION

Fitco VB-6000 is a water based flexible, high-build protective coating. It provides an excellent vapour barrier and thermal insulation for outdoor air conditioning ducts in high humidity climates.

ADVANTAGES

- One component elastomeric coating
- Non-flammable and non-toxic
- Flexible throughout wide range of temperatures
- UV resistance and mildew resistance
- Excellent vapour barrier for ducts
- Resistance to rain washoff
- Good bond strength
- Ideal for vertical and horizontal surfaces
- Specially formulatated for severe climatic conditions
- Long term service and economical

USES

VB-6000 is a tough material, formulated for use in air conditioning systems for protection of all types of outdoor thermal insulations - air condition ducts, hot and chilled water pipe systems, tanks, vessels, fittings etc.

VB-6000 seals expansion joints in flexible cellular insulation against humidity and water vapour penetration.

It can be used on polyurethane, polystyrene, mineral wool, glass fibre and other insulation materials.

DIRECTIONS FOR USE

All surfaces to be clean, dry and free from dust, grease and other loose materials.

APPLICATION

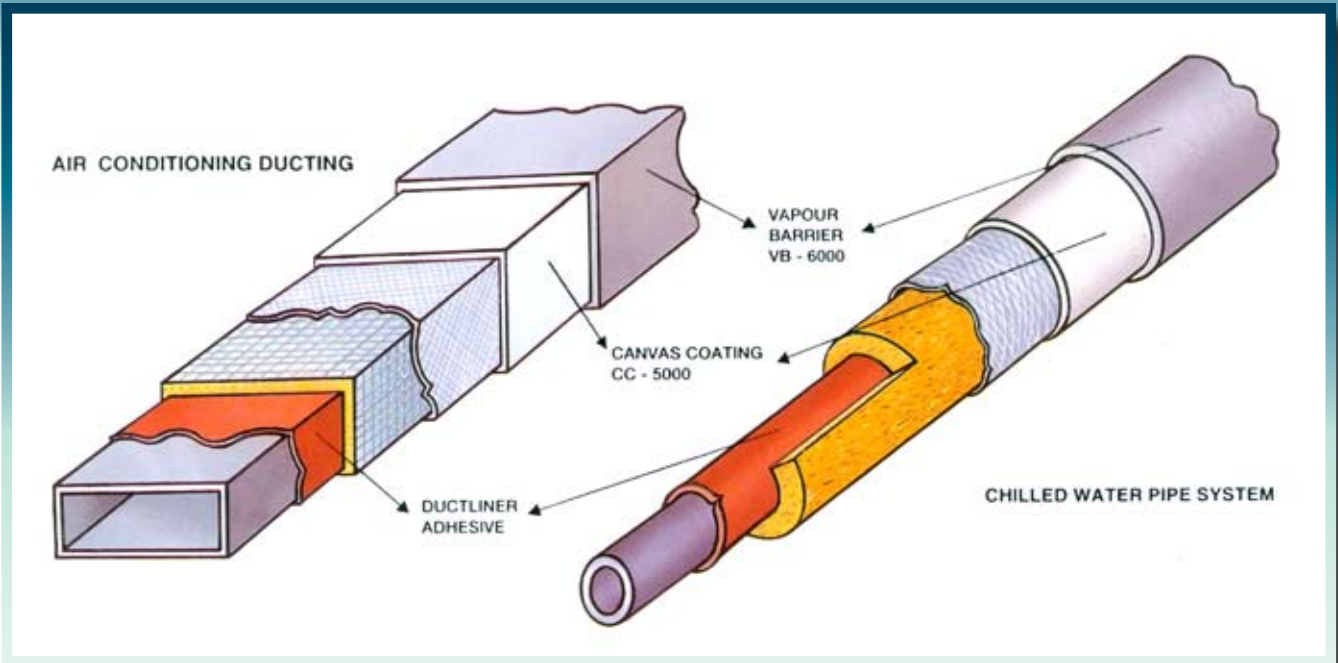
VB-6000 can be applied by brush, roller, spray or towel. Apply two coats of **VB-6000** over the protective jacket/insulation material, evenly without any bare spots. Apply second coat at right angle to the first.

CLEANING TOOLS

Clean immediately after use with water.

PACKING

5 US Gallon pails



SPECIFICATION : VB-6000

Base	: Acrylic Copolymer
Colour	: White
Consistency	: Thixotropic / Creamy
Solvent	: Aqueous dispersion
Safety	: Non-flammable
Application Temperature	: 10°C to 45°C
Specific Gravity	: 1.20 (approximately)
Finish	: Tough, Flexible Coating
Water Vapour Transmission	: Conforms to BS 2782 Part 8
Tensile Strength	: Excellent
Chemical Resistance	: Resistance to mild acid and alkali
UV Resistance	: Excellent
Surface Flame Spread	: Conforms to BS 476 Part 7 : 1987
Service Temperature	: -40°C to 88°C

Coverage	: Approx. 5m ² /Ltr depending on method of application and the substrate
Curing Time	: Touch dry - 1 hour Complete dry - 6-8 hours

STORAGE & SHELF LIFE

Do not store in direct sunlight. When stored in original unopened container VB-6000 has shelf life of one year.

N.B. : Please refer to separate Technical Data Sheets on CC-5000 - A/C Canvas Coating and Ductliner.

National Plastic warrants that this product is free from defects in raw materials and workmanship for a period of one year from date of delivery. Seller disclaims any consequential loss for improper application by user. This warranty is limited to replacement of goods proved to be defective in raw materials and workmanship during the warranty period.

Information printed in this literature is given in good faith and is, to the best of our knowledge and experience, true and correct.

fitco
adhesives[®]

National Plastic & Building Material Industries L.L.C. (Adhesives Division)

Telephone: +971 (6) 5331830 • Fax: +971 (6) 5335629 • Email: npbmi@emirates.net.ae

Website: www.national-plastic.com • P.O. Box 1943, Sharjah U.A.E.